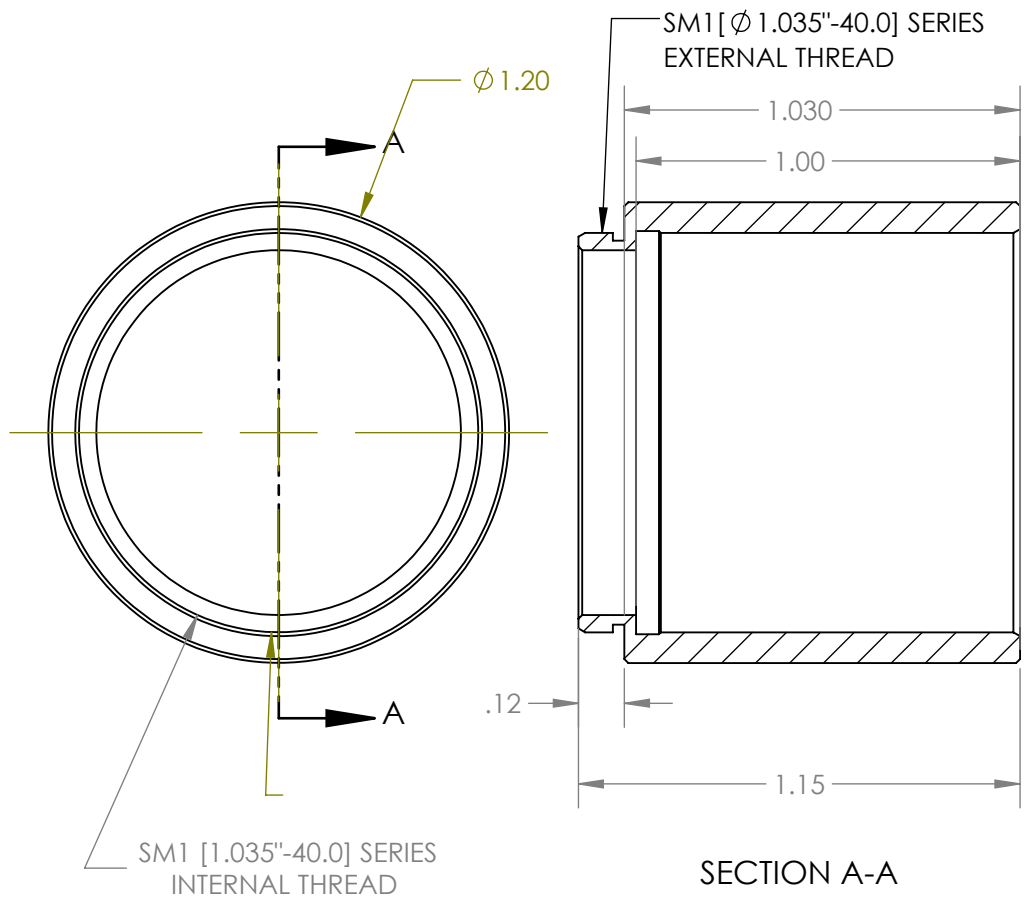


2

1

B

B





\*Threads not shown in model view

FOR INFORMATION ONLY  
NOT FOR MANUFACTURING

A

A

 UNLESS OTHERWISE SPECIFIED: Dimensions are in Inches	NAME	DATE	PROJECT:		
	DRAWN	Jeremy McAllister	12/07/2023	Lens Tubes	
	CHECKED			TITLE:	
	APPROVED			ALLVAR Alloy 30 SM1 Lens Tubes 1" Length	
	MATERIAL	ALLVAR Alloy 30		SIZEDWG. NO.	
THIRD ANGLE PROJECTION			<b>A</b> AV_SM1L10_Sketch	REV <b>A</b>	
DO NOT SCALE DRAWING			SCALE: 2:1	WEIGHT:	SHEET 1 OF 1

2

1